

IsoScrew 200

Specification **Insulation-screws for flange-insulations and temperatures up to 210 °C - cathodic corrosion protection**

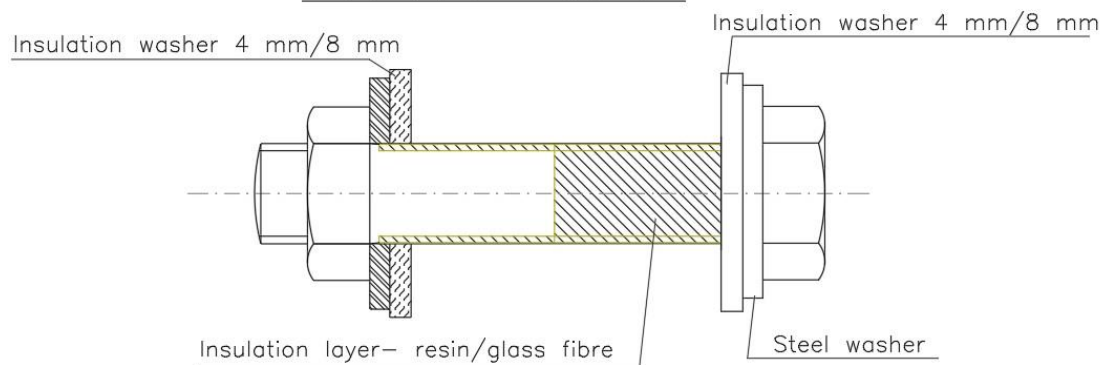
Screw bolts According to DIN 2510, special screws on request
 Dimensions According to DIN / ANSI flange specifications, UNC
 Material Class: 5.6, 8.8, 10.9, 12.9, Ck35, 25CrMo4, 42CrMo4, V2A, V4A, special materials on request

Insulation

Binder
 Material resin / glass fibre
 Appearance white / ochre

	<i>unit</i>	<i>value</i>	<i>test method</i>
Glass filaments	pieces/cm	30	
Tear strength	N/cm	> 2.500	after full curing
Modulus of elasticity	MPa	about 50.000	
Operating temperature	°C	180	continuous operation
Specific volume resistance	Ω/cm	10 ¹⁴	
Insulation resistance in water	Ω	15	IEC 168
Waterabsorption	mg	< 20	ISO 62/1

Insulation-Screw



status: December 2019 file: IsoScrew_200_english.doc
 based on german datashheet IsoSchraube_200.doc
 technical modifications, printing errors, mistakes or omissions reserved