

IsoThreadBolts 300

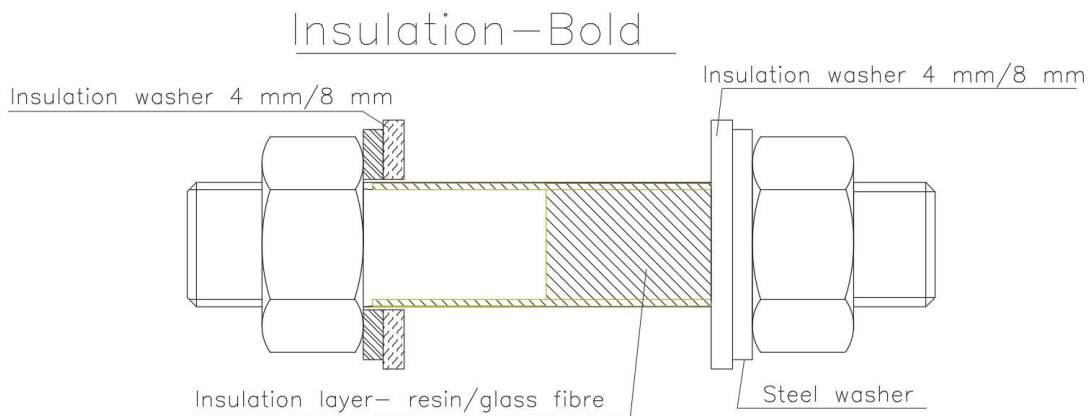
Specification **Insulation-screws for flange-insulations used for district heating systems at temperatures up to 280 °C – cathodic corrosion protection**

Thread bolts special screws on request
 Dimensions According to DIN / ANSI flange specifications
 Material Class: 5.6
 Ck35, 25CrMo4, 42CrMo4
 special materials on request

Isolation

Binder / material resin / glass fibre
 Appearance brown

	<i>unit</i>	<i>value</i>	<i>test method</i>
Tear strength	N/cm	> 2.300	after full curing
Modulus of elasticity	MPa	ca. 50.000	
Operating temperature	°C	280	IEC 60216/T1 (continuous operation)
Specific volume resistance	Ωcm	10 ¹³	DIN/VDE 0303T30
Insulation resistance in water	Ω	10 ¹²	IEC 168
Waterabsorption	mg	< 15	ISO 62/1



status: December 2019 file: IsoGewBolzen_300_english.doc
 based on german datsheet IsoGewBolzen_300.doc
 technical modifications, printing errors, mistakes or omissions reserved